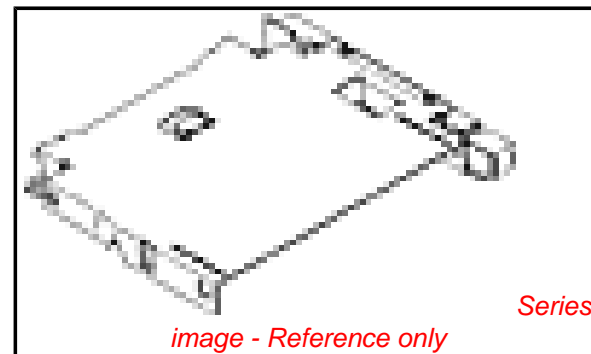


PLEASE CHECK WWW.MOLEX.COM FOR LATEST PART INFORMATION

Part Number: [0553650011](#)
Status: **Active**
Overview: [compactflash](#)
Description: 1.27mm (.050") CF Card Ejector: Right Side Button, Push-Push Type

Documents:

[3D Model](#) [Product Specification PS-55359-016 \(PDF\)](#)
[Drawing \(PDF\)](#) [RoHS Certificate of Compliance \(PDF\)](#)
[Product Specification PS-55359-013 \(PDF\)](#)



General

Product Family	Memory Card Sockets
Series	55365
Button Type	Push-Push
Component Type	Ejector (Host)
Overview	compactflash
Product Name	CompactFlash
Type	I, II

Physical

Card Detection Switch	N/A
Circuits (Loaded)	N/A
Color - Resin	Black
Durability (mating cycles max)	Contact Molex
Ejector Button Side	Right
Entry Angle	N/A
Keying to Mating Part	None
Material - Resin	Polycarbonate
PCB Locator	No
PCB Mounting Side	Normal
PCB Retention	N/A
Packaging Type	Tray
Pitch - Mating Interface (in)	0.050 In
Pitch - Mating Interface (mm)	1.27 mm
Pitch - Term. Interface (in)	0.000 In
Pitch - Term. Interface (mm)	0.00 mm
Ports	1
Temperature Range - Operating	-20°C to +90°C

Electrical

Current - Maximum per Contact	N/A
Shielded	Yes
Voltage - Maximum	N/A

Material Info

Reference - Drawing Numbers

Product Specification	PS-55359-013, PS-55359-016, RPS-55358-004, RPS-55359-001
Sales Drawing	SD-55365-002

EU RoHS

**ELV and RoHS
Compliant**
REACH SVHC
 Not Reviewed
**Halogen-Free
Status**
 Not Reviewed

China RoHS



**Need more information on product
environmental compliance?**

Email productcompliance@molex.com
 For a multiple part number RoHS Certificate of
 Compliance, [click here](#)

Please visit the [Contact Us](#) section for any
 non-product compliance questions.

Search Parts in this Series

[55365Series](#)

Use With

[55359](#)

EC NO. DRWN: CHK: APPR:	EC NO. DRWN: CHK: APPR:	EC NO. DRWN: CHK: APPR:	EC NO. DRWN: CHK: APPR:
RELEASED EC NO. JD90381 DRWN: THIRATA '98/09/09 CHK: MSASAO '98/09/09 APPR: HIKESUGI '98/09/09			
REV DESCRIPTION 0 INS. RANGE 被覆外径 #			

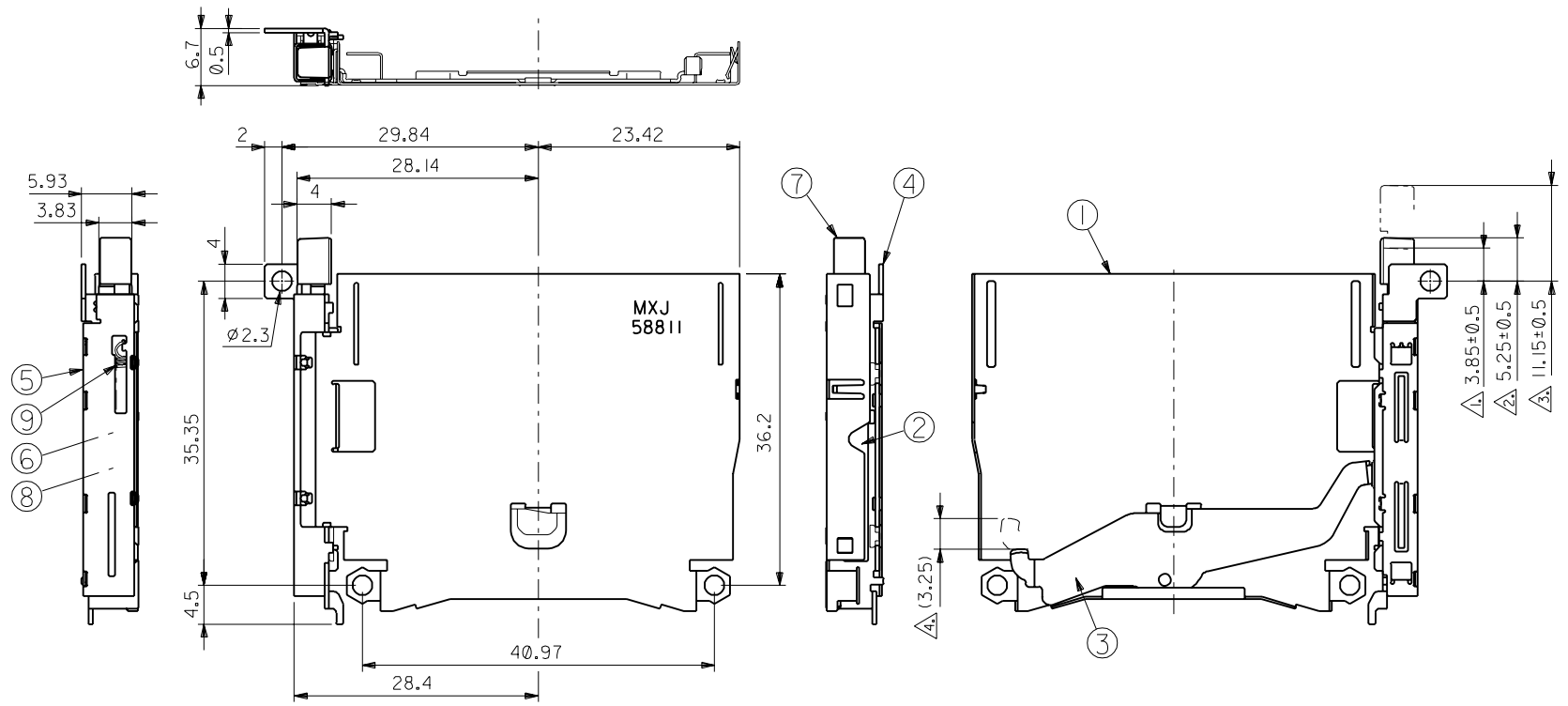
MATERIAL 材料	SEE NOTES
FINISH 仕上り	SEE NOTES
WIRE RANGE 通所電線形制	#
ANGLE 角度	#

GENERAL TOLERANCES: (UNLESS SPECIFIED) 一般公差	SCALE 2 - 1	DESIGN UNITS <input checked="" type="checkbox"/> mm <input type="checkbox"/> INCH	THIRD ANGLE PROJECTION
10 UNDER 未満	+0.2	DRAWN BY & DATE <i>T. Hirata</i> '98/09/09	TITLE: CF CARD CONN. EJECT MECHANISM EJECT ASS'Y
10 OVER 以上	+0.25	CHECKED BY & DATE <i>H. Sano</i> '98/09/09	APPROVED BY & DATE <i>H. Sano</i> '98/09/09
30 OVER 以上	+0.3	CAD FILENAME 55365002.S01	MATERIAL NO. 55365-0011
ANGLE 角度	+3°	DRAWING NO. SD-55365-002	SHEET NO. 1 OF 2

DIMENSIONS: <input type="checkbox"/> mm <input type="checkbox"/> INCH <input checked="" type="checkbox"/> mm ONLY		SHT REV
THIS DRAWING CONTAINS INFORMATION THAT IS PROPRIETARY TO MOLEX INCORPORATED AND SHOULD NOT BE USED WITHOUT WRITTEN PERMISSION.		SIZE B

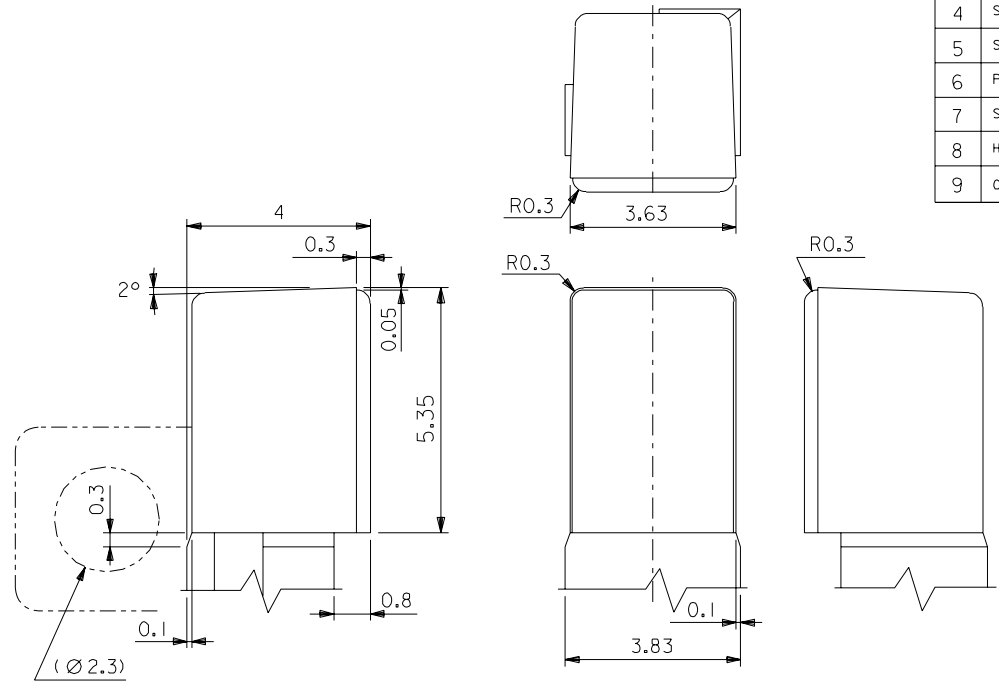
注) NOTES

- △1 ボタン・フルストローク位置。
BUTTON'S FULL STROKE POSITION.
- △2 ボタン収納時位置。
BUTTON'S IN POSITION.
- △3 ボタン突出時位置。
BUTTON'S OUT POSITION.
- △4 イジェクト時、カード飛び出し量は(3.25)mm。
IN EJECTING OPERATION, CARD OUT BY (3.25)mm.



DWG. NO. SD-55365-002

No.	品名 NAME	材料 MATERIAL	仕上り FINISH	個数 PIECE
1	METAL SHELL	ステンレス鋼 t 0.25 STAINLESS STEEL t 0.25	—	1
2	PUSH ROD	ステンレス鋼 t 0.5 STAINLESS STEEL t 0.5	—	1
3	LEVER	ステンレス鋼 t 0.4 STAINLESS STEEL t 0.4	—	1
4	SIDE PLATE	ステンレス鋼 t 0.5 STAINLESS STEEL t 0.5	—	1
5	SIDE COVER	ステンレス鋼 t 0.25 STAINLESS STEEL t 0.25	—	1
6	PIN PLATE	鋼 STEEL	フッ素樹脂コーティング FLUORINE RESIN COATING	1
7	SLIDER	ポリカーボネート UL94V-0 色 :黒色 POLYCARBONATE UL94V-0 COLOR:BLACK	—	1
8	HEART CAM	ポリカーボネート UL94V-0 色 :黒色 POLYCARBONATE UL94V-0 COLOR:BLACK	—	1
9	COIL SPRING	ステンレス鋼 φ 0.22 STAINLESS STEEL φ 0.22	—	1



ボタン詳細寸法
DETAIL OF BUTTON

DO NOT SCALE DRAWING

EC NO. DRWN: CHK: APPR:	EC NO. DRWN: CHK: APPR:	EC NO. DRWN: CHK: APPR:	EC NO. DRWN: CHK: APPR:	EC NO. DRWN: CHK: APPR:	EC NO. DRWN: CHK: APPR: REV: SEE SHEET 1 OF 2	MATERIAL 材料 SEE NOTES	GENERAL TOLERANCES: (UNLESS SPECIFIED) 一般公差		SCALE	DESIGN UNITS	THIRD ANGLE PROJECTION	DIMENSIONS:		SHT	REV
							10 UNDER 未満	+0.2	2 - 1	<input checked="" type="checkbox"/> mm <input type="checkbox"/> INCH		<input type="checkbox"/> mm <input type="checkbox"/> INCH <input checked="" type="checkbox"/> mm ONLY	REVISE ON CAD ONLY		
WIRE RANGE 適用線径範囲	INS. RANGE 被覆外径	SEE NOTES	SEE NOTES	SEE NOTES	0	FINISH 仕上り SEE NOTES	10 OVER 以上	30 UNDER 未満	+0.25	DRAWN BY & DATE <i>T. Kizata</i> '98/09/09	TITLE: CF CARD CONN. EJECT MECHANISM EJECT ASS'Y	MOLEX INCORPORATED	MATERIAL NO. 55365-0011	DRAWING NO. SD-55365-002	SHEET NO. 2
							30 OVER 以上	+0.3	CHECKED BY & DATE <i>H. Saito</i> '98/09/09	APPROVED BY & DATE <i>H. Saito</i> '98/09/09					
							ANGLE 角度	+3°	THIS DRAWING CONTAINS INFORMATION THAT IS PROPRIETARY TO MOLEX INCORPORATED AND SHOULD NOT BE USED WITHOUT WRITTEN PERMISSION.						